

# MODEL 73070

Model 73070 is a tension-compression Force Transducer.

Humidity resistant coating and shielded cables enable this load cell to be used in harsh environments while maintaining its operating specifications.

The additional sense wires compensate for changes in lead resistance due to temperature change and/or cable extension.

Ideally suited for lever conversions, hanging scales, force measurement and a wide range of other industrial applications.



## FEATURES

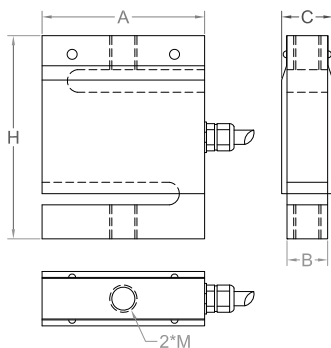
- Capacities 2-500 kg
- Anodized aluminum construction
- IP64 and IP67 protection
- For use in tension or compression
- 4 or 6 wire (sense) circuit
- Optional  
EEx ia IIC T4 hazardous area approval

## APPLICATIONS

- Hopper (Tank weighing)
- Hybrid scales
- Belt weighing
- Lever arm conversions
- Material testing machines
- Vibrations filling equipment
- Dynamometers

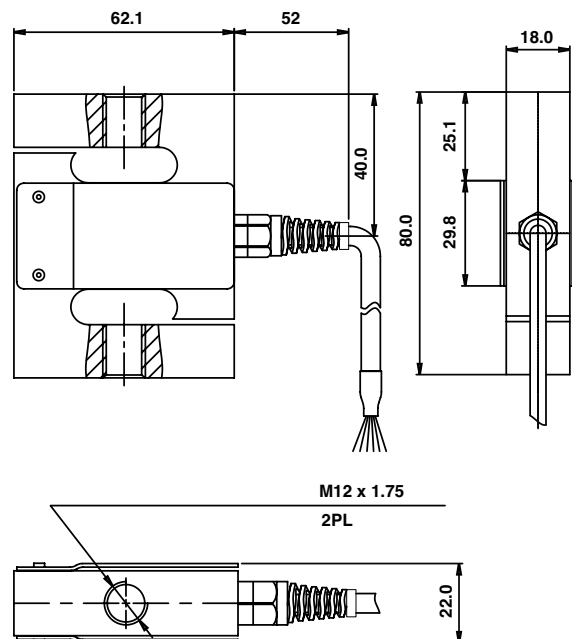
## DIMENSIONS mm

( 2-30kg )



Capacity/量程(kg)	A	B	C	H	M
2	50.8	10	14	63.5	M6*1
5/10/20	50.8	12.7	17	63.5	M6*1
30	50.8	25.4	30	76.2	M12*1.75

( 50-500kg )

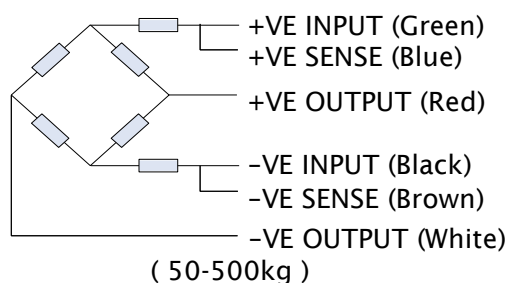
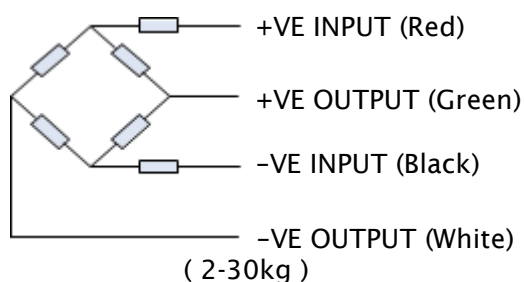


# SPECIFICATIONS

PARAMETER	VALUE		UNIT
Rated capacity—R.C. (Emax)	2, 5, 10, 20, 30	50, 100, 150, 200, 300, 500	kg
Accuracy class	G	G	
Maximum no. of intervals (n)	3000	3000	
Y = Emax/Vmin	5000	8000	
Rated output—R.O.	2.0		mV/V
Rated output tolerance	0.2		±% mV/V
Zero balance	2.0	0.02	±% mV/V
Zero return, 30 min.	0.017		±% of applied load
Total error (per OIML R60)	0.03	0.020	±% of rated output
Temperature effect on zero	0.005	0.0023	±% of rated output/°C
Temperature effect on output	0.005	0.0012	±% of load/°C
Temperature range, compensated	-10 to +40		°C
Temperature range, safe	-20 to +60	-30 to +70	°C
Maximum safe central overload	120	150	% of R.C.
Ultimate central overload	150	300	% of R.C.
Excitation, recommended	10		VDC or VAC RMS
Excitation, maximum	15		VDC or VAC RMS
Input impedance	410±30	415±15	Ω
Output impedance	350±5	350±3	Ω
Insulation resistance	>2000		MΩ
Cable length	1.5	3.0	m
Cable type	4-wire	6-wire, braided PVC	
Construction	aluminum		
Environmental protection	IP64	IP67	

All specifications subject to change without notice.

## WIRING SCHEMATIC DIAGRAM



PROCESS WEIGHING CONTROL SOLUTIONS

**Yunyan Electrical Technology Co., Ltd.**

Tianhe District, Guangzhou CHINA Phone: +86 20 8550 3591 - Fax: +86 20 8550 3565  
 E-Mail: info@fouryweigh.com - Internet: www.fouryweigh.com